

「
RENDER
BEADS
EXTERNAL」

EXTERNAL RENDER TRIMS

RenderEdge External Trims are tough UV Stabilized PVC beads that are designed to reinforce external rendered corners.

EXTERNAL RENDER TRIM

ABC-123 Code	Barcode	Size	Ctn
85-RE-2.5	9315778996433	3m	50
85-RE-3.5	9315778996457	3m	50
85-RE-4.5	9315778998246	3m	50
85-RE-6	9315778996464	3m	50



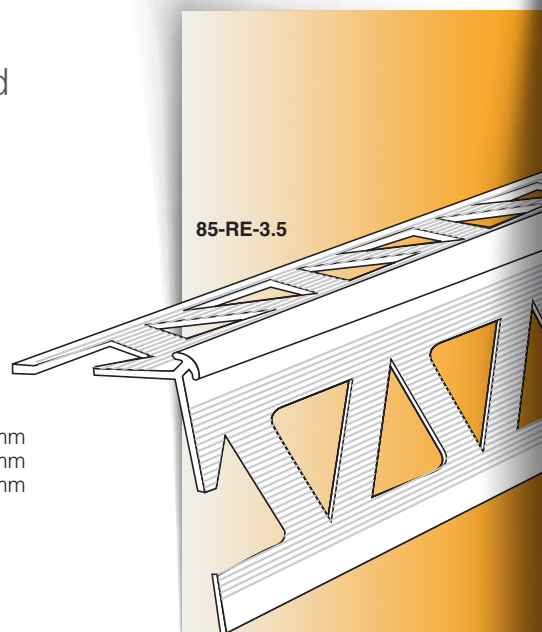
Mud Leg
28mm



Build Size
85-RE-2.5 - 2.5mm
85-RE-3.5 - 3.5mm
85-RE-4.5 - 4.5mm
85-RE-6 - 6mm

The RenderEdge External Render Trim is manufactured with an anchor top providing excellent bonding of render material into the corner while the large rectangular holes and double-sided ridging on the render leg assists adhesion to all surfaces.

- UV Stabilized
- Rigid PVC construction
- Ridging on both sides of the render leg
- Anchor nib design
- Available in 2.5, 3.5, 4.5 & 6mm Build sizes
- 50 piece cartons



85-RE-3.5

LARGE ADJUSTABLE EXTERNAL RENDER TRIM

ABC-123 Code	Barcode	Size	Ctn
85-RE-01	9315778997874	3m	40

**Legs adjust for a 4-12mm build size*



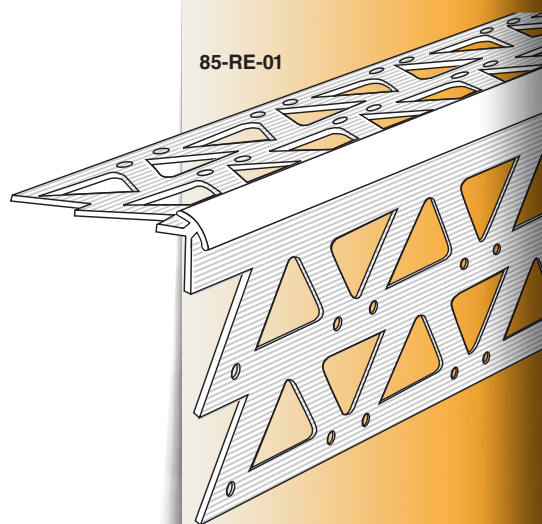
Mud Leg
52mm



Build Size
4-12mm*

The Large External Trim is specifically designed for the traditional 10mm solid render application on brick and block work where surfaces require a larger trim to take up surface imperfections. This trim has the added flexibility for dealing with a range of build sizes ranging from 4-12mm depending on fixing location.

- UV Stabilized
- Rigid PVC construction
- Extra wide render leg
- Ridging on both sides of the render leg
- Anchor nib design
- Adjusts between 4-12mm Build sizes
- 40 piece cartons



85-RE-01